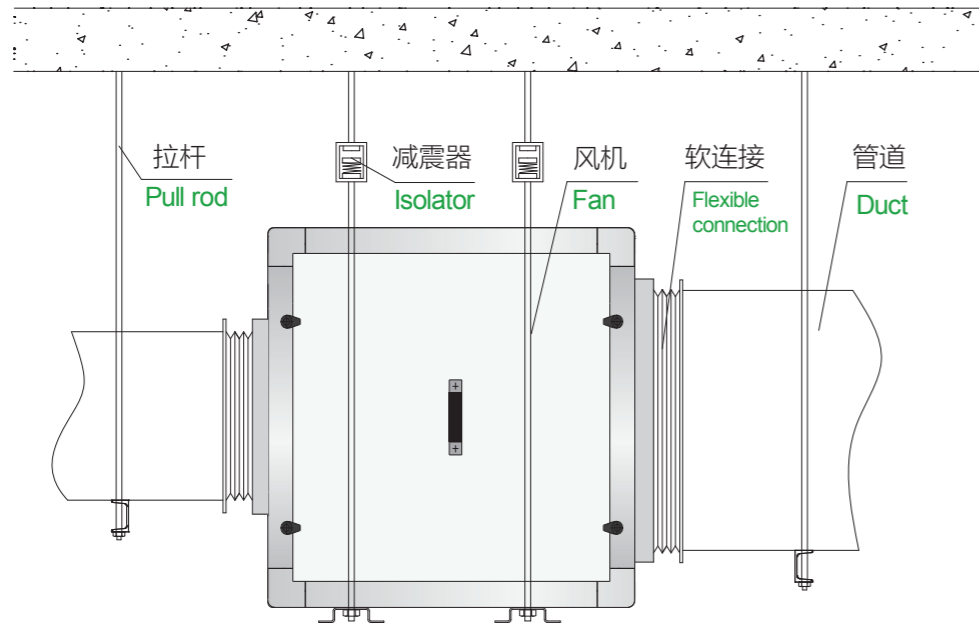


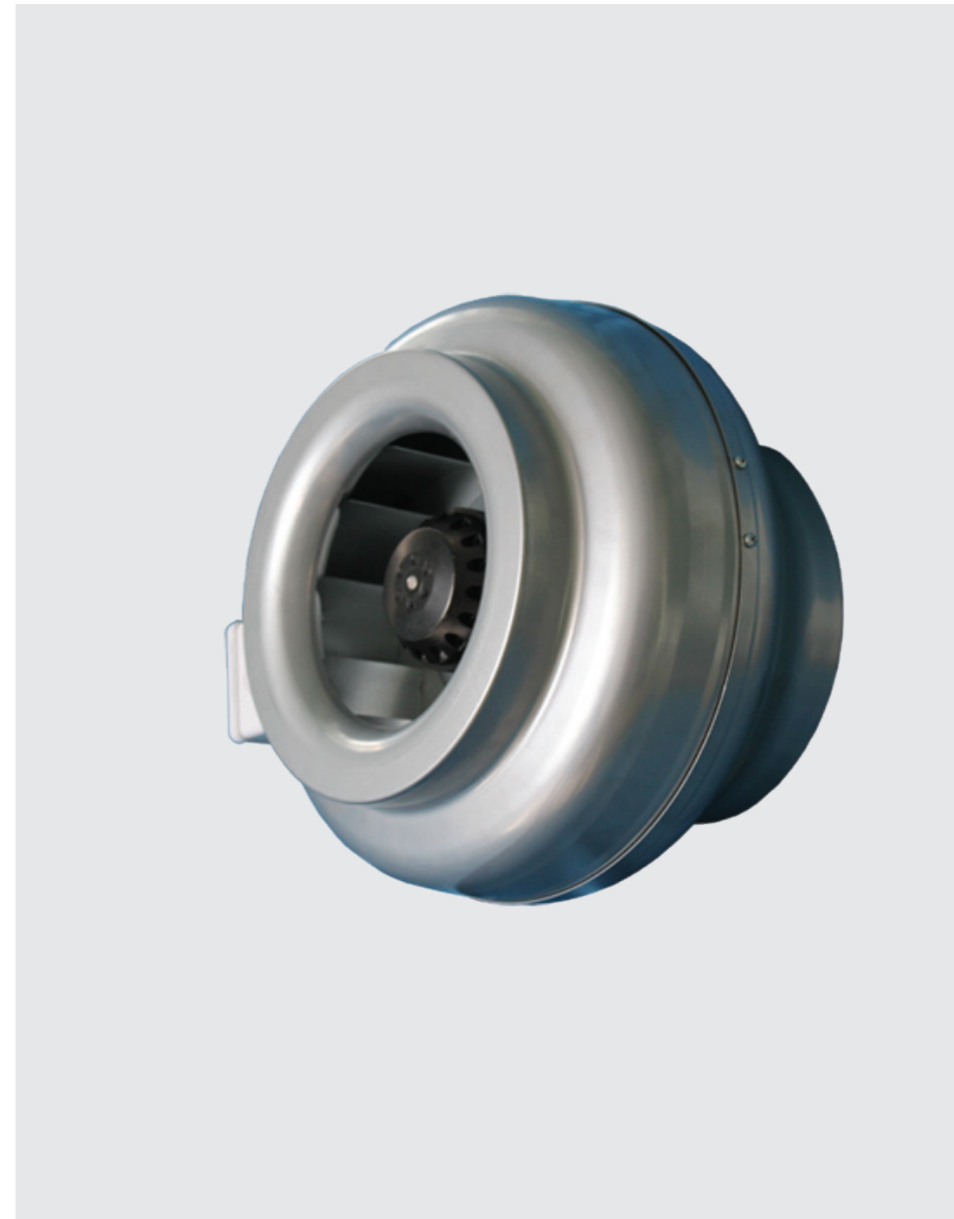
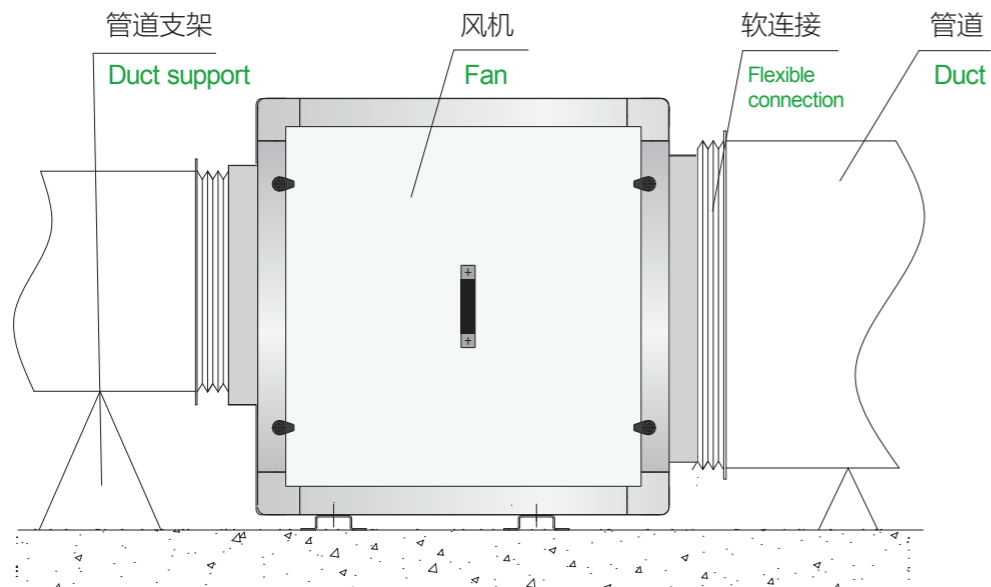
YGZES系列管道风机吊装示意图

YGZES Ceiling Installation Schematic Diagram



YGZES系列管道风机地装示意图

YGZES Floor Installation Schematic Diagram



GSE/GKE 系列管道风机

YGZE/YGZES

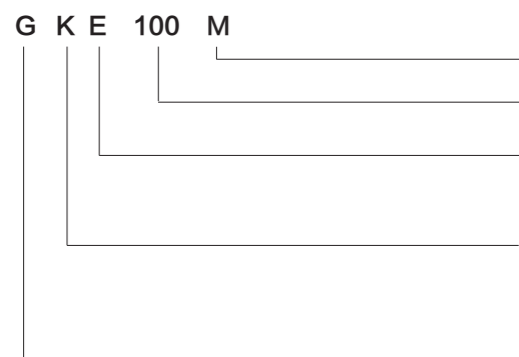
管道风机系列

概述

GSE/GKE 系列管道风机是一种直通径流式风机，单相外转子电机直联驱动。该管道风机共有 6 种型号尺寸可供选择，每种型号都有 2 种不同的电机型式；并且结构紧凑，容量较大，非常易于安装。

GSE/GKE 系列风机具有耐湿性，允许在湿润或潮湿环境下安装。它们严禁被用于输送研磨粉，烟灰以及类似物质。外壳由优质镀锌板制造而成。如果马达绕组内的温度过高，那么热敏开关将会断开。

命名方式



Summary

GSE / GKE Series duct fan is a centrifugal fan with direct driven, single-phase external rotor motor. The fan total of 6 duct sizes to choose from, each has 2 different size specifications, and compact, large capacity, very easy to install.

GSE / GKE Series fans have moisture resistance, allowing moist or wet environment installation. They are used to deliver non- abrasive powder, soot and similar substances. Shell made from high quality galvanized sheet manufacturing. If the motor winding temperature is too high, then the thermal switch will disconnect.

Nomenclature

电机型式 (M,L)	Motor type (M, L)
叶轮直径 (mm)	Diameter of Impeller (mm)
电机	Motor
E = 单相 A.C.220V	Single Phase A.C.220V
材料	Material
S = 钢板	Steel
K = 塑胶	Plastic
管道风机	Duct Fan



产品结构

1.机壳

塑胶壳体结构：GKE 系列管道风机的壳体采用具有美观、结实、易燃的亮灰色塑胶壳体制成，装有接线盒和倒流阀。

金属壳体结构：GSE 系列管道风机的壳体由喷塑钢板制作。

2.叶轮

后向风机叶轮以钢板或塑胶制成。

叶轮直接与外转子电机的转子相连。符合 DIN/ISO 1940 标准，双面整体平衡，平衡精度等级达 G2.5 级。

3.电机

管道风机由外转子电机驱动，电机防护等级为 IP54，安装在叶轮内。电机的绝缘等级为 B 级，具有防潮功能。GKE 系列管道风机接有安装在电机线圈上的热敏元件。

4.电气连接

该系列管道风机带有外置接线盒。

Construction of Product

1.Housing

Plastic casing construction:

The GKE series duct fans are equipped with an attractive, strong and heavily inflammable light grey plastic casing with terminal box and guide vane.

Metal casing construction:

The casings of GSE series duct fans are made of powder coated sheet metal.

2.Impeller

Backwards curved impellers are made of sheet steel or plastic. The impellers are fitted directly onto the external rotor motor. These units are balanced at two levels according to G2.5 according to DIN/ISO 1940.

3.Motor

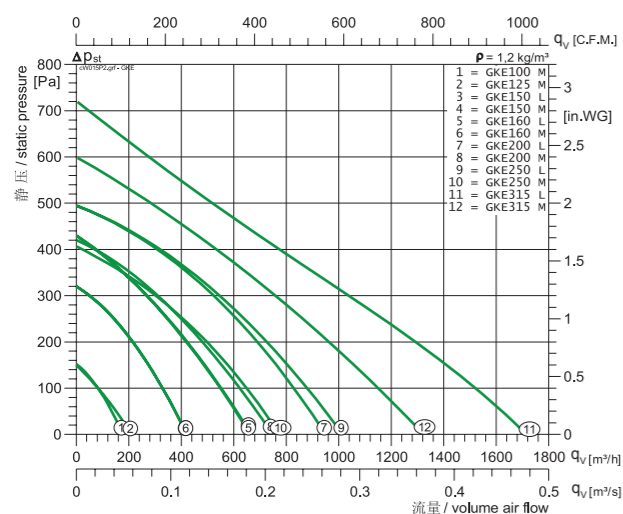
The duct fans are driven by an external rotor motor, protection class IP54, fitted in the impeller. The motor have instruction class B comes with additional moisture impregnation. All GKE series duct fans are equipped with thermal contacters mounted in the motors.

4.Electrical Connection

The duct fans are equipped with external terminal box.

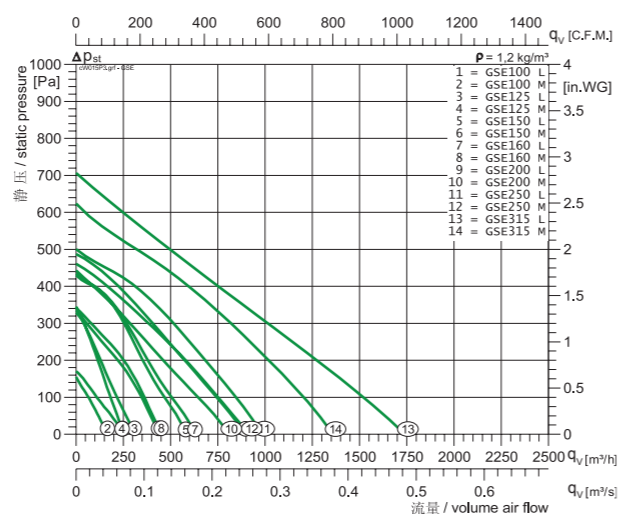
快速选型

GKE



Quick Selection

GSE



声级

该系列风机声压级是根据DIN45635第38节规定的包络面方法测定的。

性能曲线中所示的噪声是管道系统出口处的声功率级 L_{WA6} ，是一个“A”分贝值。

进口处的A声功率级 L_{WA} 根据DIN 45 635第38节规定的方法测定，可通过相对声功率级计算或近似采用下列公式：

$$L_{WA} \approx L_{WA6} - 3dB$$

A倍频带声功率级可由下式获得：

$$L_{WAokt} \approx L_{WA6} + L_{WArel}$$

相对倍程声功率级 L_{WArel} 在中间频率的值可在下表由相对应的风机得到，该值是在 $0.5 \times V_{max}$ 处测试得到。

声源1米处的A声压级可由A声功率级 L_{PA} 中减去7dB (A) 近似计算得到：

$$L_{PA(1m)} \approx L_{WA6} - 7dB$$

但是，A声压级会随反射，测试室的特性及固有频率的变化而变化。

Sound Levels

The ascertaining of the sound level follows the enveloping surface method according to DIN 45635 section 38.

The figures in the air performance curves are the "A" decibel figures which are the sound power levels L_{WA6} , at the outlet side unducted.

The "A" sound power level at the inlet side L_{WA} according to DIN 45 635, part 38, is obtained as follows:

approximately as follows:

$$L_{WA} \approx L_{WA6} - 3dB (A)$$

The octave sound power level can be obtained as follows.

$$L_{WAokt} \approx L_{WA6} + L_{WArel}$$

The relative octave sound power level L_{WArel} at octave medium frequency can be taken from the tables at respective fan. These levels has been established at $0.5 \times V_{max}$.

The "A" sound pressure level L_{PA} at a distance of 1 metre is obtained approximately by deducting 7dB(A) from the "A" sound power level L_{WA6} .

It is important to note that the reflection and room characteristic as well as natural frequencies differently influence the sound pressure levels.

说明

1) 风机配用电动机功率是指在特定工况下，轴功率加上电机容量安全系数而言，并非出风口全开时所需的功率，因此为防止电机因超功率运转而烧毁，严禁风机未加任何外界阻力进行空运转。

2) 样本中的风机性能是选用电机额定转速测试的结果，我们亦可通过改变电机的转速达到用户实际的需求。

3) 风机在运输、装卸过程中应小心轻放，严禁撞击挤压，严禁堆放于潮湿或有腐蚀性的场合。

4) 风机安装前应用手拨动叶轮，检查是否有过紧或碰撞现象，确认没有这些现象时方可进行试运转。

5) 风管与风机进风口、出风口之间连接时应尽量采用软连接，接头不得拉得过紧。

6) 风机安装后应检查机壳和其他壳体内部，不应有掉入遗留的工具和杂物。

7) 风机正式运转前，需检查叶轮的转向是否符合侧板上的转向标记。

8) 订货时需注明风机型号、配用电机型号、风机的风量、风压等参数。

Instructions

1) The motor power is calculated from the Bhp plus the safety factor, so to avoid the motor burn and damage, the fan shall not operate at type A condition. (i.e. free inlet, free outlet)

2) The fan performance in the catalog is tested under the rated motor speed, we can meet the actual requirement of the user by changing the motor speed.

3) During transportation, loading and unloading, all fans shall be handled carefully to avoid damaging. the fans shall store in a dry, clean and non-toxic area.

4) Before commissioning and operating, the impeller should be turned by hand to ensure that it turns freely without colliding with other parts of the fan.

5) When the duct is connecting to the inlet and the outlet of the fan, a flexible connector shall be used in between.

6) Check and clean the housing of the fan, to ensure that there is no sundry inside the housing.

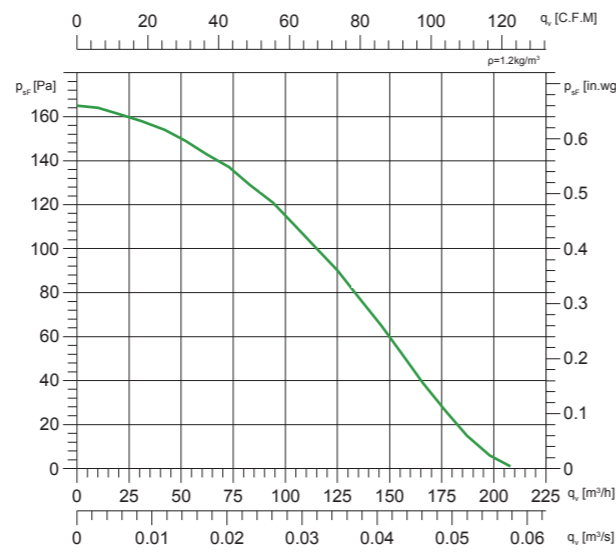
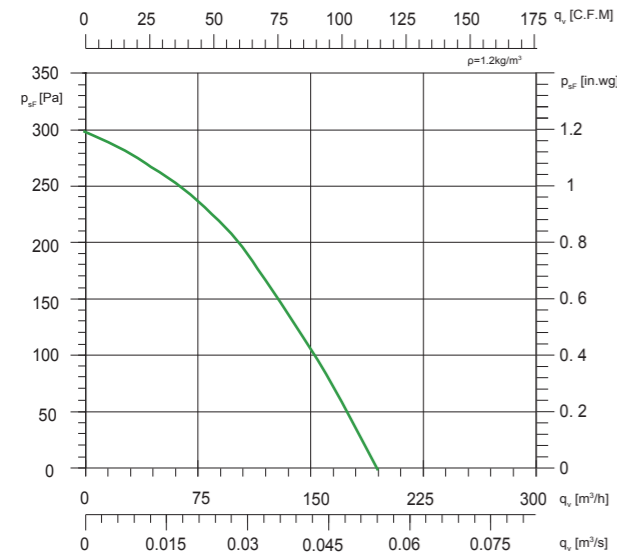
7) Before operating, check the rotational direction of the, to ensure that the rotation direction is same as the label shown on the fan.

技术参数

Technical Data

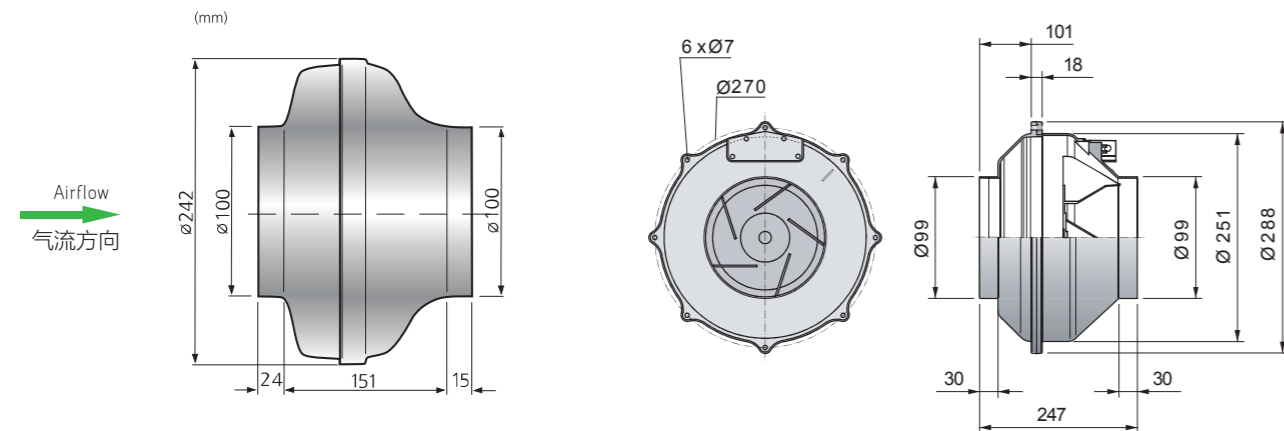
GSE 100 M

GKE 100 M



Type: GSE 100 M	m: 3 kg	P_N : 35W-2P					
	U: 220 v	n: 2288 r/min					
	I_N : 0.157 A	IP: IP44					
Δ dB	125Hz	250Hz	500Hz	1kHz	2kHz	4kHz	8kHz
$L_{w(A)}$	-6	1	-0	-8	-13	-26	-36
$L_{w0(A)}$	-25	-23	-6	-2	-7	-19	-32

Type: GKE 100 M	m: 1.95 kg	P_N : 23W-2P					
	U: 220 v	n: 2695 r/min					
	I_N : 0.11 A	IP: IP54					
Δ dB	125Hz	250Hz	500Hz	1kHz	2kHz	4kHz	8kHz
$L_{w(A)}$	-15	-3	-7	-10	-16	-23	-31
$L_{w0(A)}$	-14	-2	-6	-9	-15	-22	-30

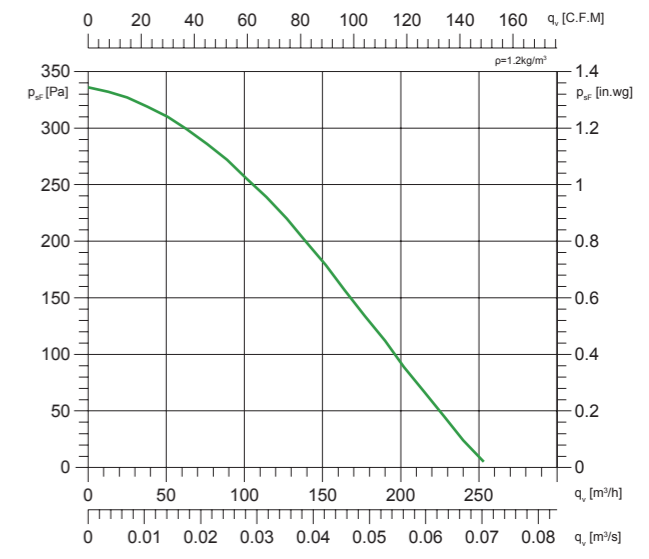
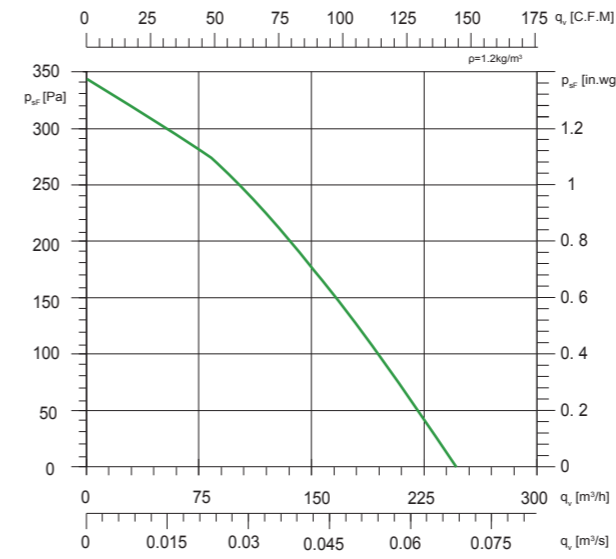


技术参数

Technical Data

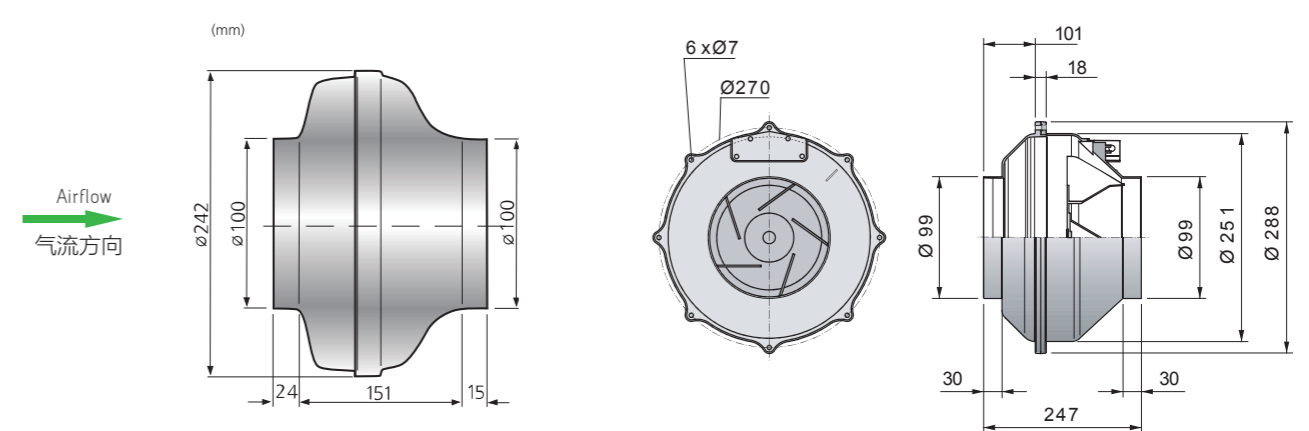
GSE 100 L

GKE 100 L



Type: GSE 100 L	m: 3 kg	P_N : 60W-2P					
	U: 220 v	n: 2617 r/min					
	I_N : 0.292 A	IP: IP44					
Δ dB	125Hz	250Hz	500Hz	1kHz	2kHz	4kHz	8kHz
$L_{w(A)}$	-6	3	-1	-7	-11	-18	-25
$L_{w0(A)}$	-13	-12	-6	-2	-7	-17	-24

Type: GKE 100 L	m: 2.05 kg	P_N : 63W-2P					
	U: 220 v	n: 2475 r/min					
	I_N : 0.28 A	IP: IP54					
Δ dB	125Hz	250Hz	500Hz	1kHz	2kHz	4kHz	8kHz
$L_{w(A)}$	-15	-3	-7	-10	-16	-23	-31
$L_{w0(A)}$	-14	-2	-6	-9	-15	-22	-30

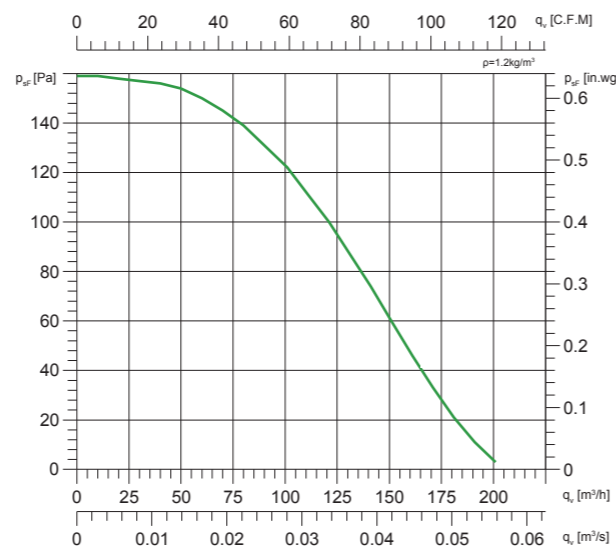
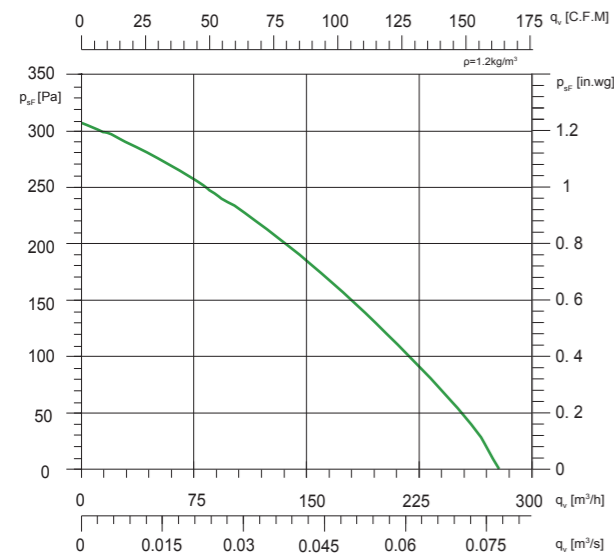


技术参数

Technical Data

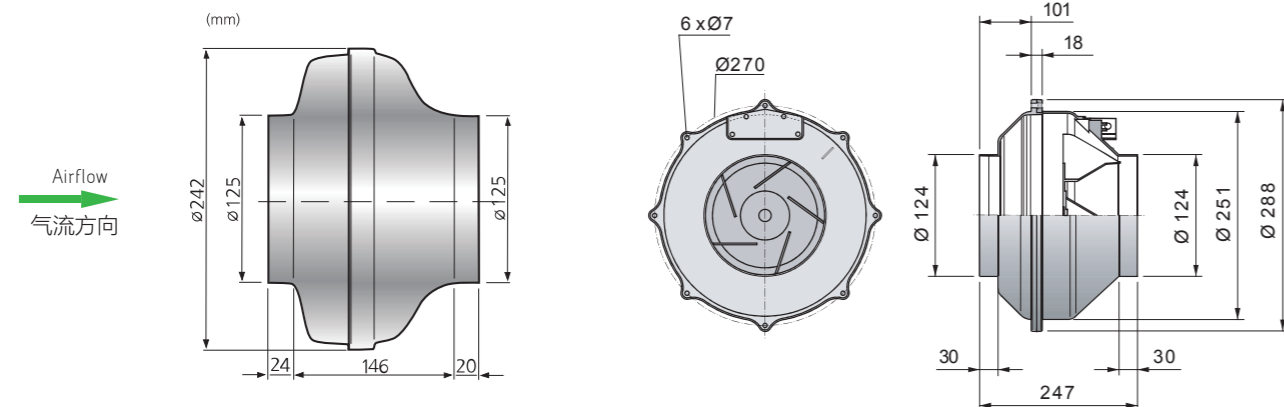
GSE 125 M

GKE 125 M



Type: GSE 125 M	m: 3 kg	P_N : 37W-2P					
	U: 220 v	n: 2172 r/min					
	I_N : 0.164 A	IP: IP44					
ΔdB	125Hz	250Hz	500Hz	1kHz	2kHz	4kHz	8kHz
$L_{w(A)}$	-2	-2	1	-9	-14	-27	-38
$L_{w0(A)}$	-18	-14	0	-5	-11	-22	-34

Type: GKE 125 M	m: 2.05 kg	P_N : 23W-2P					
	U: 220 v	n: 2695 r/min					
	I_N : 0.11 A	IP: IP54					
ΔdB	125Hz	250Hz	500Hz	1kHz	2kHz	4kHz	8kHz
$L_{w(A)}$	-13	-5	-6	-13	-10	-21	-27
$L_{w0(A)}$	-12	-4	-5	-10	-9	-20	-26

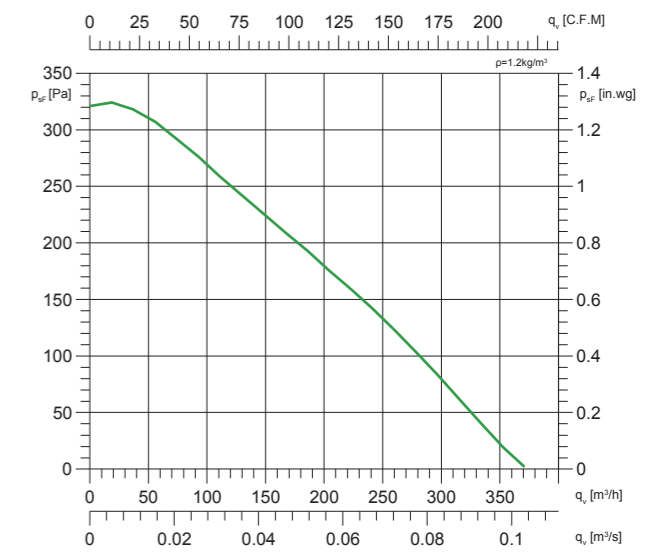
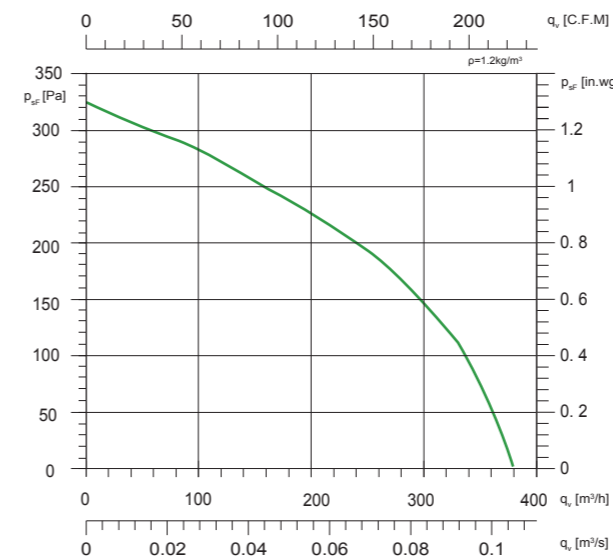


技术参数

Technical Data

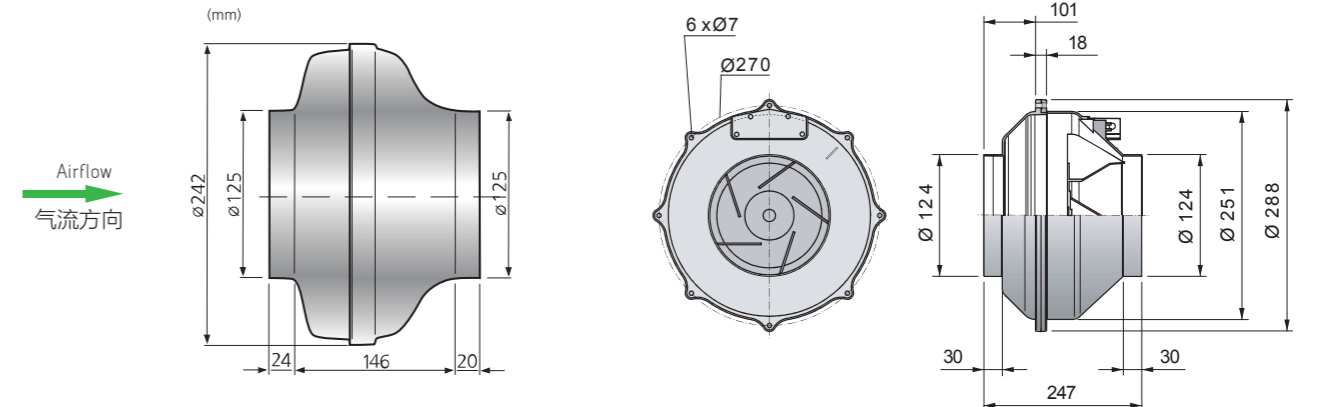
GSE 125 L

GKE 125 L



Type: GSE 125 L	m: 3 kg	P_N : 66W-2P					
	U: 220 v	n: 2510 r/min					
	I_N : 0.303 A	IP: IP44					
ΔdB	125Hz	250Hz	500Hz	1kHz	2kHz	4kHz	8kHz
$L_{w(A)}$	7	8	-5	-17	-27	-34	-18
$L_{w0(A)}$	-7	-11	-4	-9	-5	-10	-9

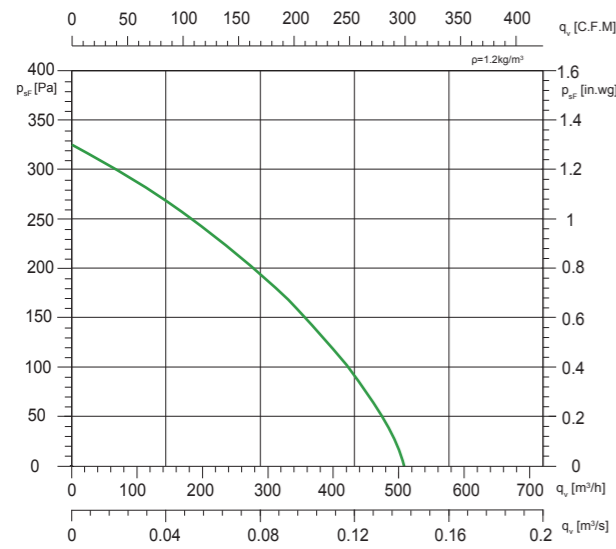
Type: GKE 125 L	m: 2.05 kg	P_N : 63W-2P					
	U: 220 v	n: 2475 r/min					
	I_N : 0.28 A	IP: IP54					
ΔdB	125Hz	250Hz	500Hz	1kHz	2kHz	4kHz	8kHz
$L_{w(A)}$	-13	-5	-6	-13	-10	-21	-27
$L_{w0(A)}$	-12	-4	-5	-12	-9	-20	-26



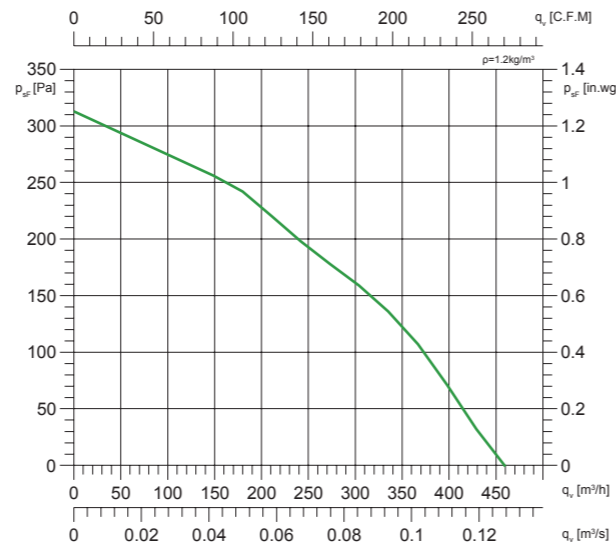
技术参数

Technical Data

GSE 150 M

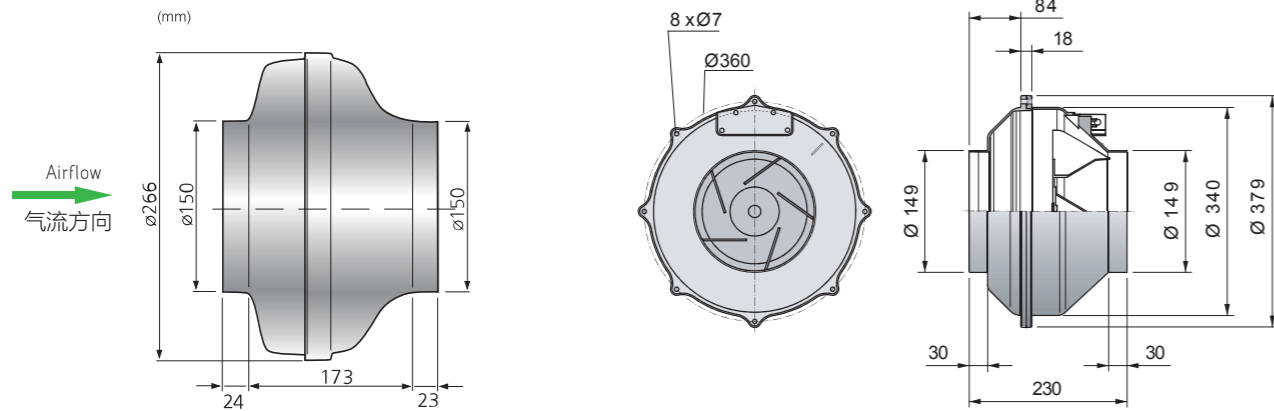


GKE 150 M



Type: GSE 150 M	m: 3.2kg	P _N : 62W-2P					
	U: 220 v	n: 2540 r/min					
	I _N : 0.27A	IP: IP44					
ΔdB	125Hz	250Hz	500Hz	1kHz	2kHz	4kHz	8kHz
L _w (A)	-13	-3	-2	-4	-9	-14	-19
L _{wc} (A)	-26	-11	-10	-5	-6	-6	-18

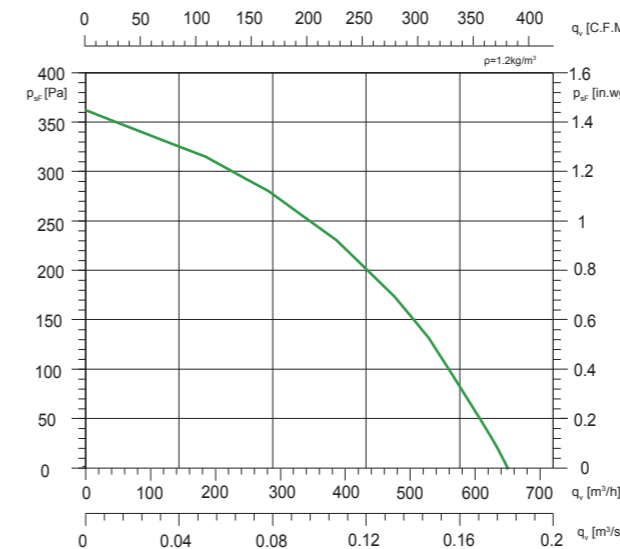
Type: GKE 150 M	m: 3.2 kg	P _N : 63W-2P					
	U: 220 v	n: 2475 r/min					
	I _N : 0.28 A	IP: IP54					
ΔdB	125Hz	250Hz	500Hz	1kHz	2kHz	4kHz	8kHz
L _w (A)	-12	-5	-7	-10	-12	-17	-29
L _{wc} (A)	-11	-4	-6	-9	-11	-16	-28



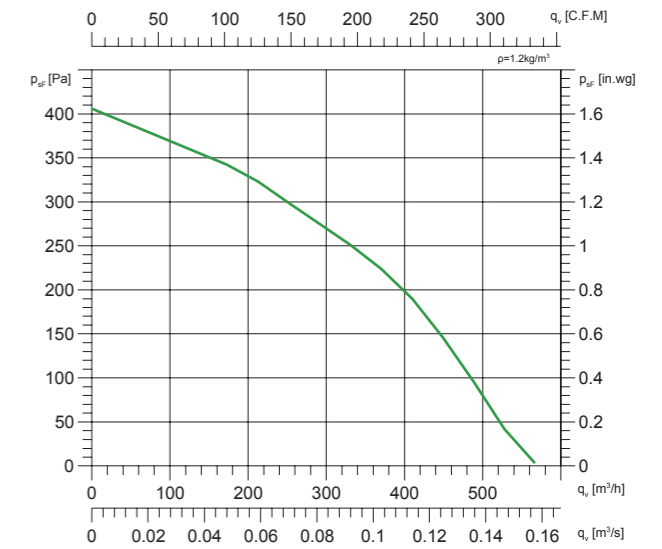
技术参数

Technical Data

GSE 150 L

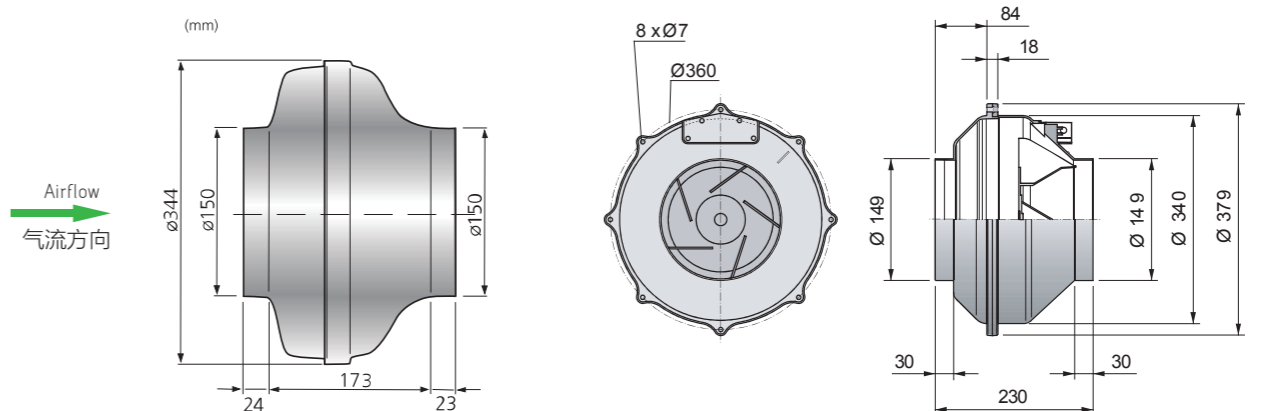


GKE 150 L



Type: GSE 150 L	m: 4.3 kg	P _N : 95W-2P					
	U: 220 v	n: 2580 r/min					
	I _N : 0.42 A	IP: IP44					
ΔdB	125Hz	250Hz	500Hz	1kHz	2kHz	4kHz	8kHz
L _w (A)	-11	-4	0	-6	-9	-11	-21
L _{wc} (A)	-20	-21	-2	-3	-9	-11	-21

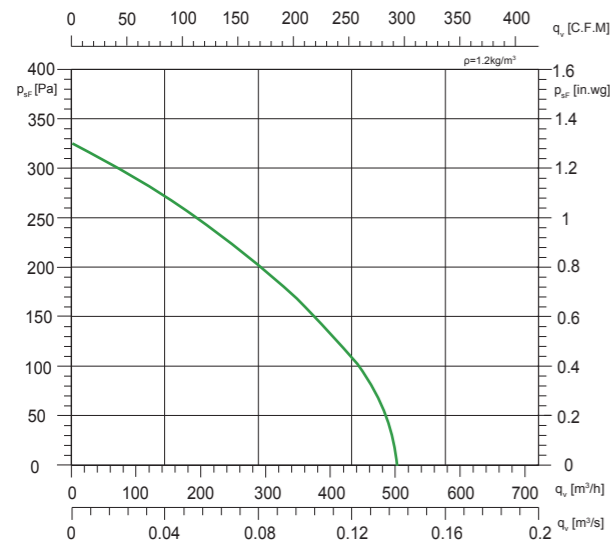
Type: GKE 150 L	m: 3.8 kg	P _N : 103W-2P					
	U: 220 v	n: 2645 r/min					
	I _N : 0.50 A	IP: IP54					
ΔdB	125Hz	250Hz	500Hz	1kHz	2kHz	4kHz	8kHz
L _w (A)	-18	-5	-6	-7	-13	-18	-26
L _{wc} (A)	-17	-4	-5	-6	-12	-17	-25



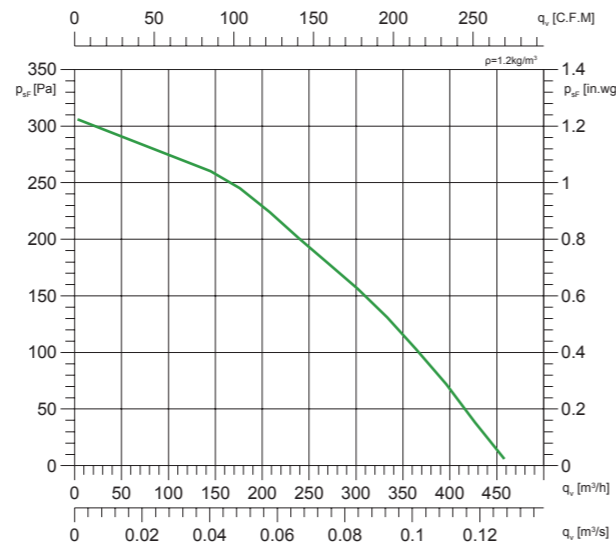
技术参数

Technical Data

GSE 160 M

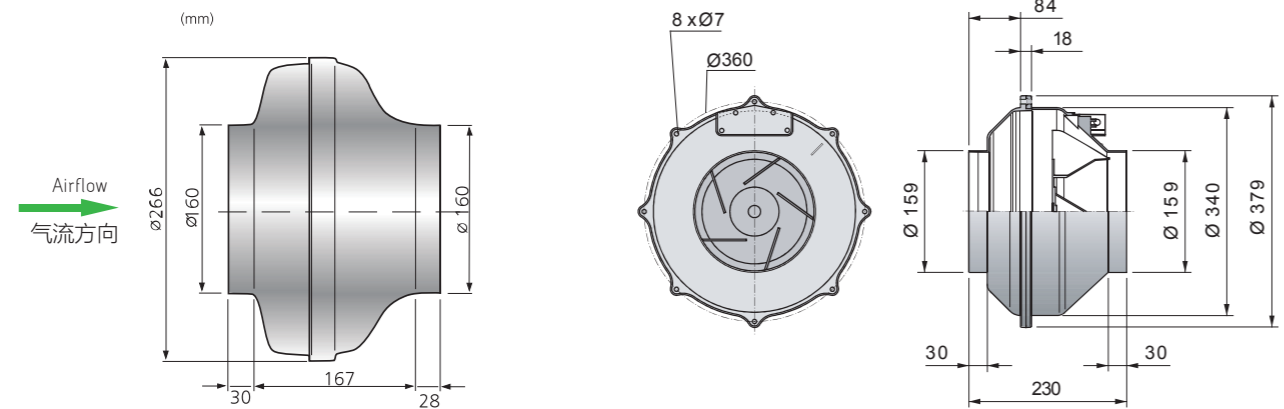


GKE 160 M



Type: GSE 160 M	m: 3.2 kg	P_N : 62W-2P					
	U: 220 v	n: 2540 r/min					
	I_N : 0.27 A	IP: IP44					
ΔdB	125Hz	250Hz	500Hz	1kHz	2kHz	4kHz	8kHz
$L_{w(A)}$	-12	-12	-12	-16	-19	-24	1
$L_{w0(A)}$	-13	-5	-8	-4	-8	-7	-10

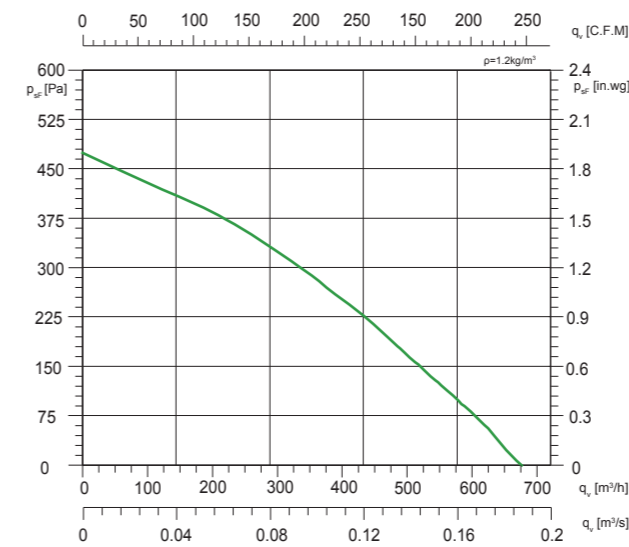
Type: GKE 160 M	m: 3.25 kg	P_N : 63W-2P					
	U: 220 v	n: 2475 r/min					
	I_N : 0.28 A	IP: IP54					
ΔdB	125Hz	250Hz	500Hz	1kHz	2kHz	4kHz	8kHz
$L_{w(A)}$	-12	-5	-7	-10	-12	-17	-29
$L_{w0(A)}$	-11	-4	-6	-9	-11	-16	-28



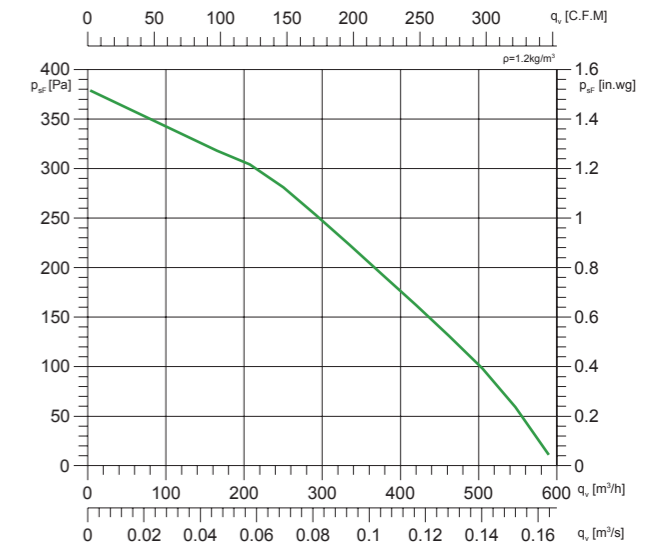
技术参数

Technical Data

GSE 160 L

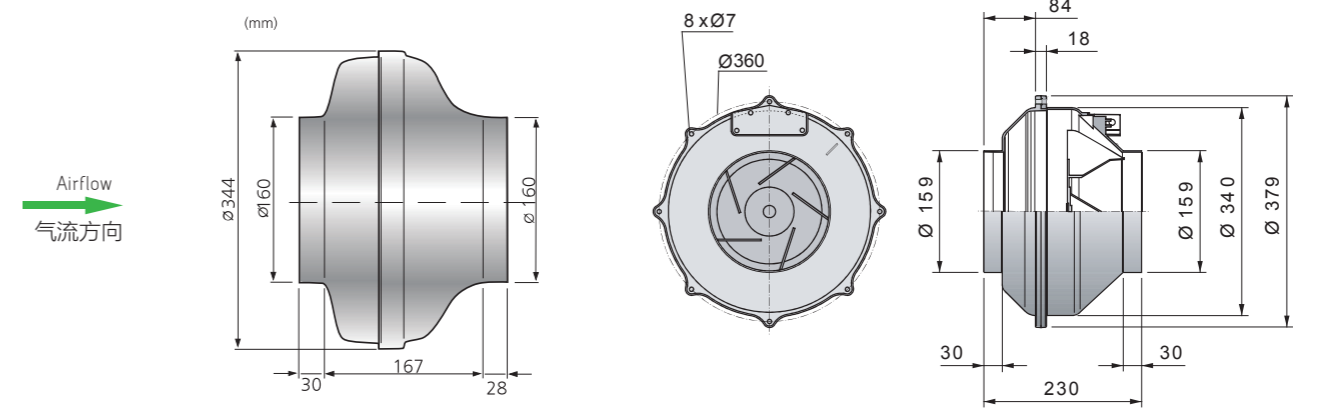


GKE 160 L



Type: GSE 160 L	m: 4.3 kg	P_N : 131W-2P					
	U: 220 v	n: 2600r/min					
	I_N : 0.42 A	IP: IP44					
ΔdB	125Hz	250Hz	500Hz	1kHz	2kHz	4kHz	8kHz
$L_{w(A)}$	-11	-4	0	-6	-9	-11	-21
$L_{w0(A)}$	-20	-21	-2	-3	-9	-11	-21

Type: GKE 160 L	m: 3.8 kg	P_N : 103W-2P					
	U: 220 v	n: 2645 r/min					
	I_N : 0.50 A	IP: IP54					
ΔdB	125Hz	250Hz	500Hz	1kHz	2kHz	4kHz	8kHz
$L_{w(A)}$	-18	-5	-6	-7	-13	-18	-26
$L_{w0(A)}$	-17	-4	-5	-6	-12	-17	-25

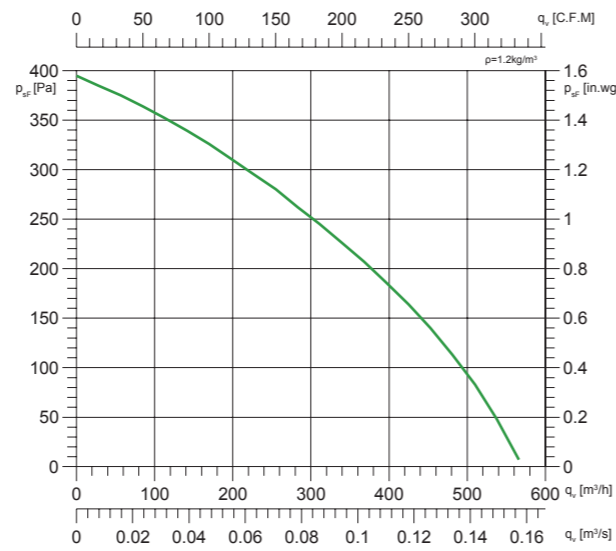
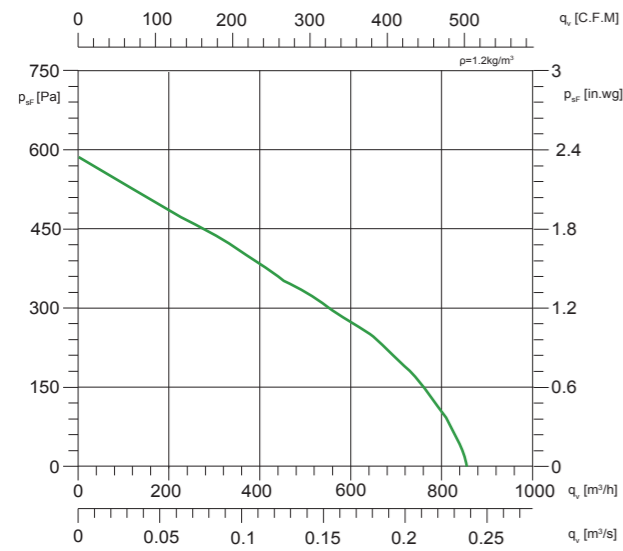


技术参数

Technical Data

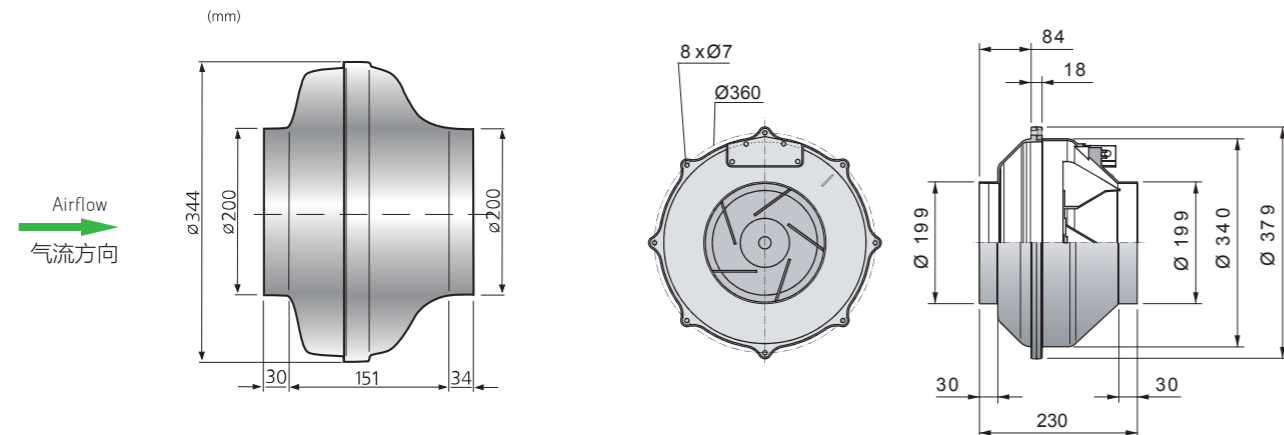
GSE 200 M

GKE 200 M



Type: GSE 200 M	m: 4.6 kg	P_N : 104W-2P					
	U: 220 v	n: 2660 r/min					
	I_N : 0.45 A	IP: IP44					
Δ dB	125Hz	250Hz	500Hz	1kHz	2kHz	4kHz	8kHz
L_w (A)	-10	-4	-3	-6	-6	-10	-22
L_{w0} (A)	-23	-26	-10	-1	-13	-17	-28

Type: GKE 200 M	m: 3.8 kg	P_N : 103W-2P					
	U: 220 v	n: 2645 r/min					
	I_N : 0.5 A	IP: IP54					
Δ dB	125Hz	250Hz	500Hz	1kHz	2kHz	4kHz	8kHz
L_w (A)	-14	-8	-6	-9	-9	-13	-22
L_{w0} (A)	-13	-7	-5	-8	-8	-12	-21

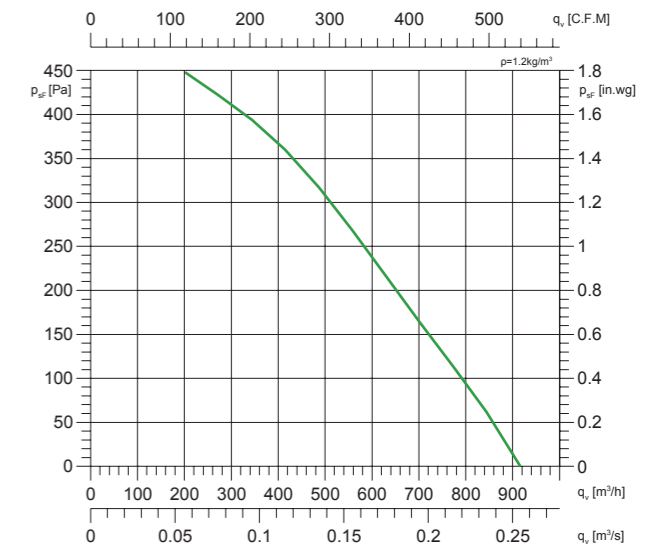
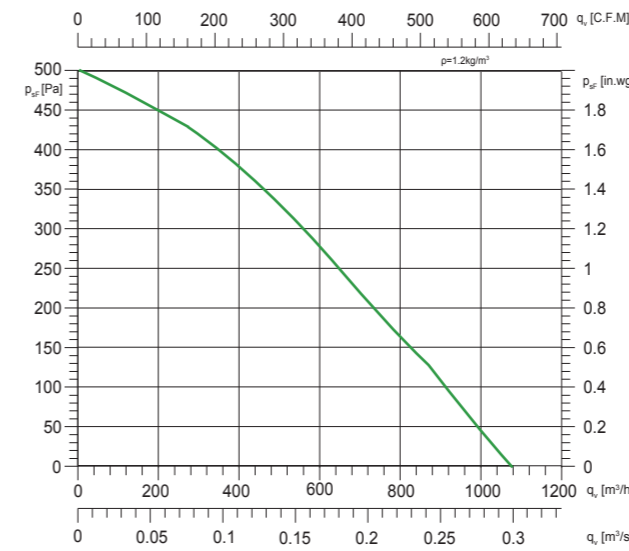


技术参数

Technical Data

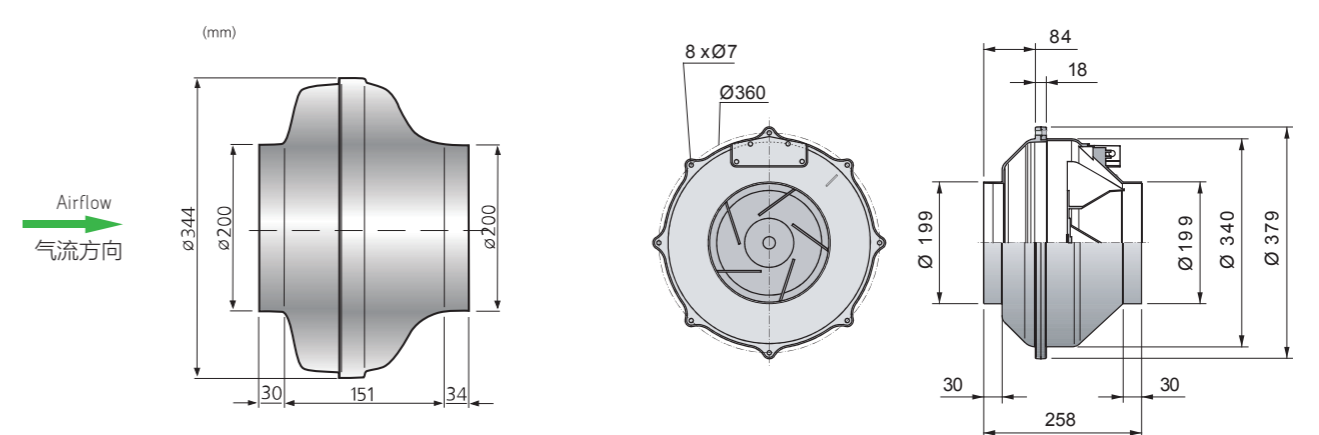
GSE 200 L

GKE 200 L



Type: GSE 200 L	m: 5.1 kg	P_N : 140W-2P					
	U: 220 v	n: 2590 r/min					
	I_N : 0.62 A	IP: IP44					
Δ dB	125Hz	250Hz	500Hz	1kHz	2kHz	4kHz	8kHz
L_w (A)	-12	-4	-4	-5	-7	-11	-18
L_{w0} (A)	-20	-14	-9	-1	-9	-14	-21

Type: GKE 200 L	m: 4.4 kg	P_N : 164W-2P					
	U: 220 v	n: 2435 r/min					
	I_N : 0.72 A	IP: IP54					
Δ dB	125Hz	250Hz	500Hz	1kHz	2kHz	4kHz	8kHz
L_w (A)	-15	-8	-5	-8	-10	-15	-24
L_{w0} (A)	-14	-7	-4	-7	-9	-14	-23

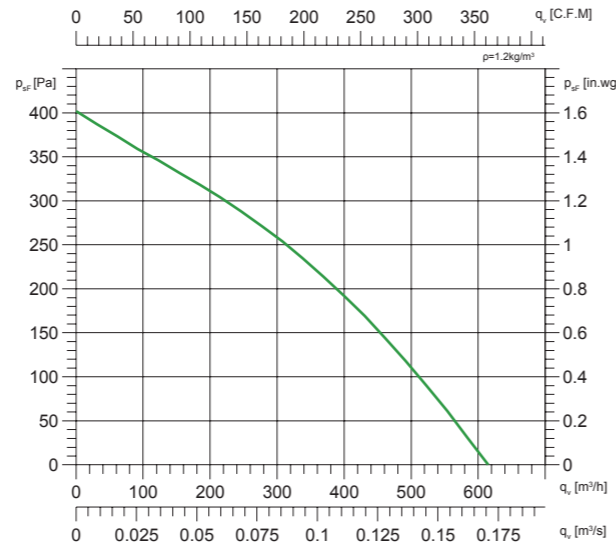
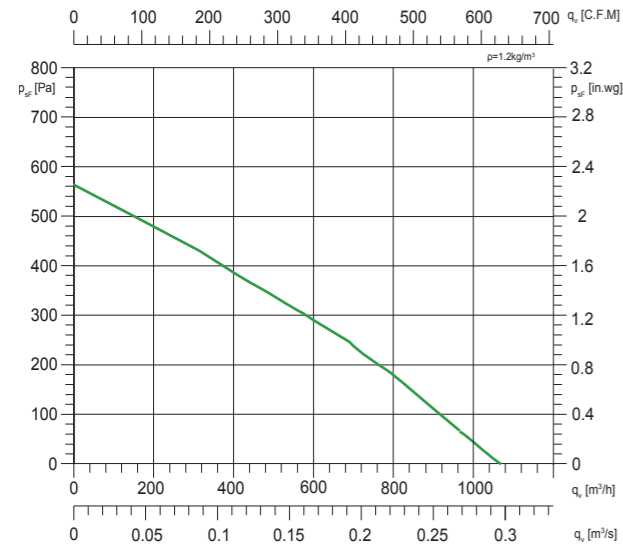


技术参数

Technical Data

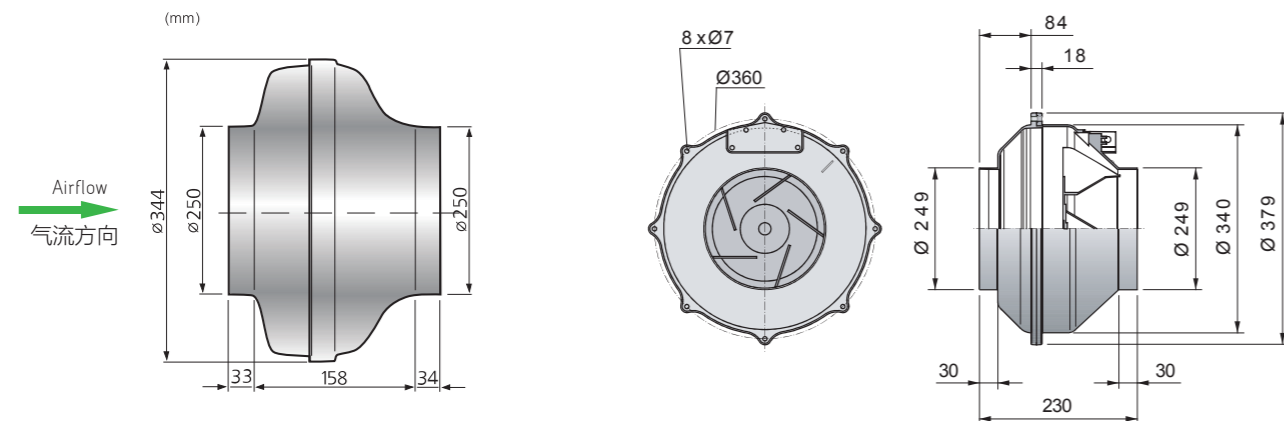
GSE 250 M

GKE 250 M



Type: GSE 250 M	m: 4.6 kg	P_N : 140W-2P					
	U: 220 v	n: 2438 r/min					
	I_N : 0.62 A	IP: IP44					
Δ dB	125Hz	250Hz	500Hz	1kHz	2kHz	4kHz	8kHz
L_w (A)	-10	-2	-4	-5	-6	-13	-17
L_{wo} (A)	-18	-6	-8	-6	-4	-10	-18

Type: GKE 250 M	m: 3.8 kg	P_N : 103W-2P					
	U: 220 v	n: 2645 r/min					
	I_N : 0.5 A	IP: IP54					
Δ dB	125Hz	250Hz	500Hz	1kHz	2kHz	4kHz	8kHz
L_w (A)	-1	-6	-7	-7	-9	-14	-16
L_{wo} (A)	0	-5	-6	-6	-8	-13	-15

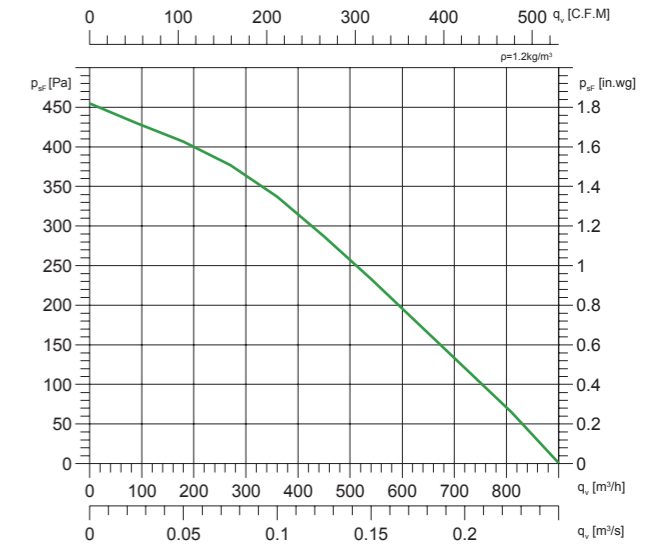
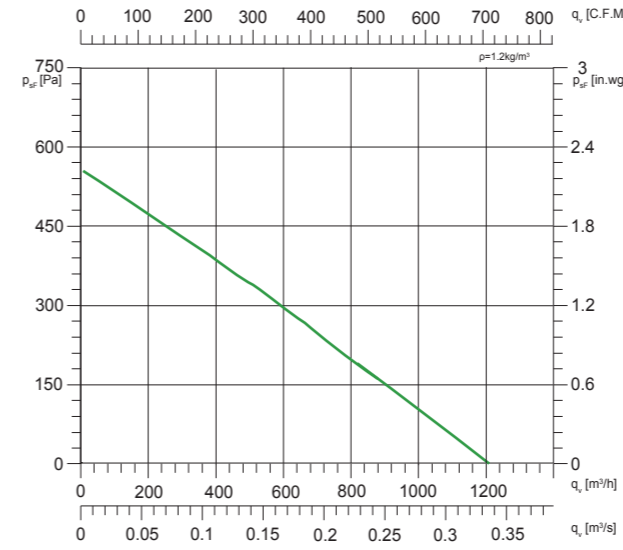


技术参数

Technical Data

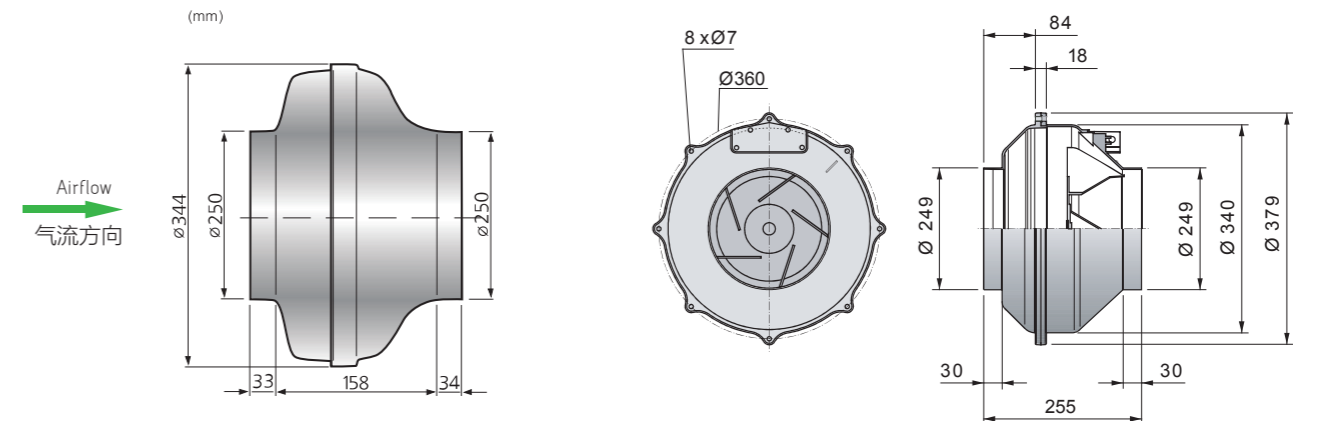
GSE 250 L

GKE 250 L



Type: GSE 250 L	m: 5.3 kg	P_N : 168W-2P					
	U: 220 v	n: 2438 r/min					
	I_N : 0.73 A	IP: IP44					
Δ dB	125Hz	250Hz	500Hz	1kHz	2kHz	4kHz	8kHz
L_w (A)	-12	-5	-6	-5	-5	-9	-17
L_{wo} (A)	-21	-18	-7	-4	-5	-9	-21

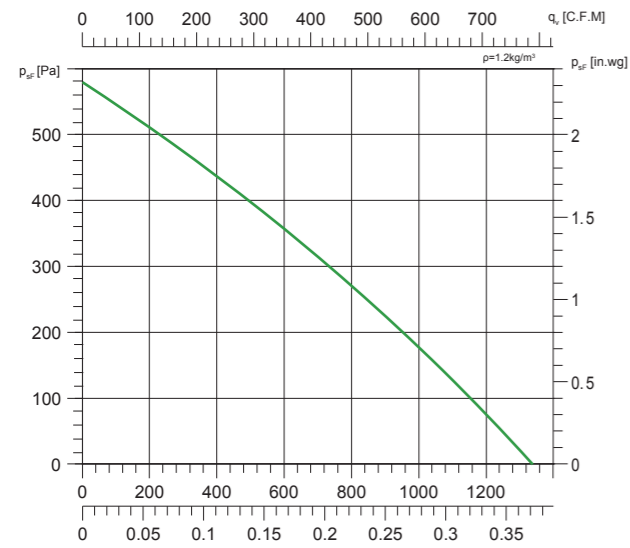
Type: GKE 250 L	m: 4.4 kg	P_N : 164W-2P					
	U: 220 v	n: 2435 r/min					
	I_N : 0.72 A	IP: IP54					
Δ dB	125Hz	250Hz	500Hz	1kHz	2kHz	4kHz	8kHz
L_w (A)	-1	-8	-7	-8	-9	-11	-15
L_{wo} (A)	0	-7	-6	-7	-8	-10	-14



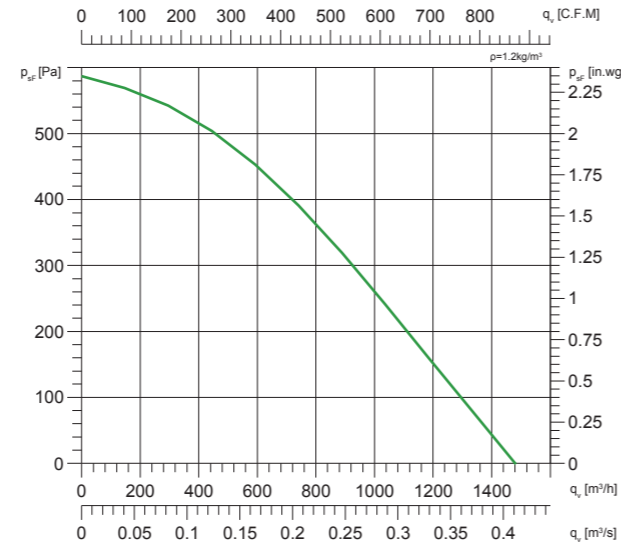
技术参数

Technical Data

GSE 315 M

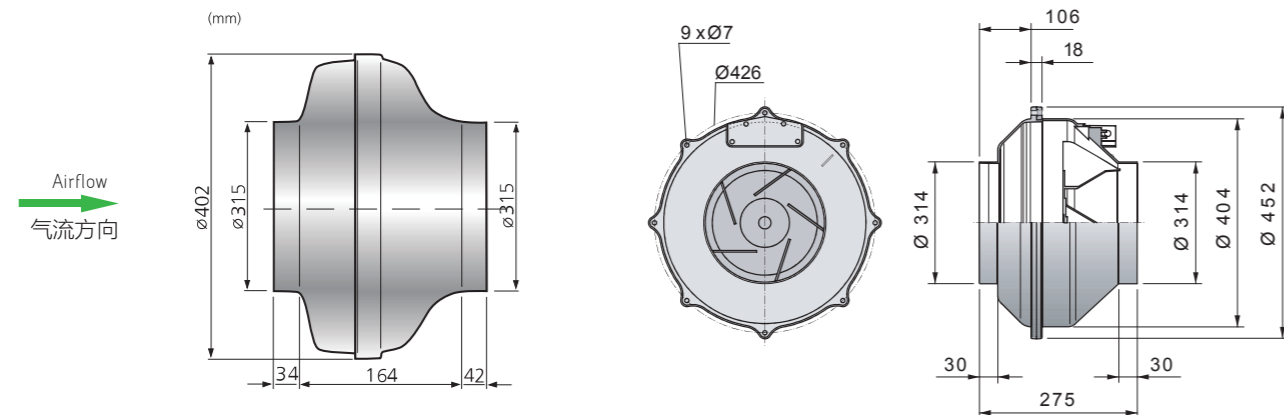


GKE 315 M



Type: GSE 315 M	m: 6.1 kg	P_N : 247W-2P					
	U: 220 v	n: 2500 r/min					
	I_N : 0.94 A	IP: IP44					
Δ dB	125Hz	250Hz	500Hz	1kHz	2kHz	4kHz	8kHz
$L_{w(A)}$	-20	-12	-13	-6	-5	-8	-11
$L_{w0(A)}$	-31	-25	-18	-5	-5	-8	-17

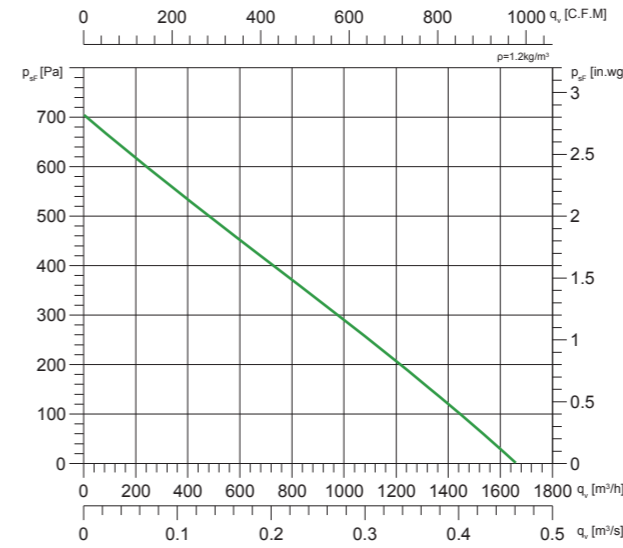
Type: GKE 315 M	m: 5.4 kg	P_N : 205W-2P					
	U: 220 v	n: 2550 r/min					
	I_N : 0.95 A	IP: IP54					
Δ dB	125Hz	250Hz	500Hz	1kHz	2kHz	4kHz	8kHz
$L_{w(A)}$	-21	-14	-13	-7	-5	-8	-11
$L_{w0(A)}$	-20	-13	-12	-6	-4	-7	-10



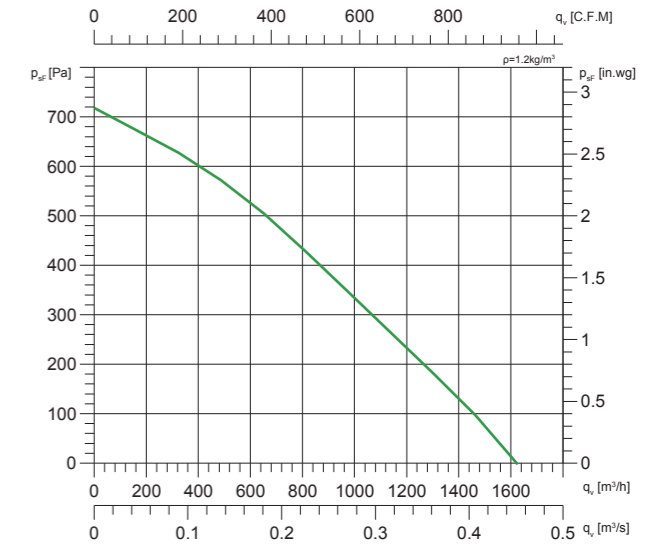
技术参数

Technical Data

GSE 315 L



GKE 315 L



Type: GSE 315 L	m: 6.5 kg	P_N : 300W-2P					
	U: 220 v	n: 2655 r/min					
	I_N : 1.39 A	IP: IP44					
Δ dB	125Hz	250Hz	500Hz	1kHz	2kHz	4kHz	8kHz
$L_{w(A)}$	-18	-10	-10	-6	-5	-9	-11
$L_{w0(A)}$	-33	-23	-11	-7	-4	-9	-17

Type: GKE 315 L	m: 6.8 kg	P_N : 225W-2P					
	U: 220 v	n: 2635 r/min					
	I_N : 1.02 A	IP: IP54					
Δ dB	125Hz	250Hz	500Hz	1kHz	2kHz	4kHz	8kHz
$L_{w(A)}$	-23	-14	-11	-8	-7	-9	-11
$L_{w0(A)}$	-22	-13	-10	-7	-6	-8	-10

